

1

2

3

4

5

6

7

8

DO NOT SCALE DRAWING

IF IN DOUBT - ASK

3rd ANGLE PROJECTION 

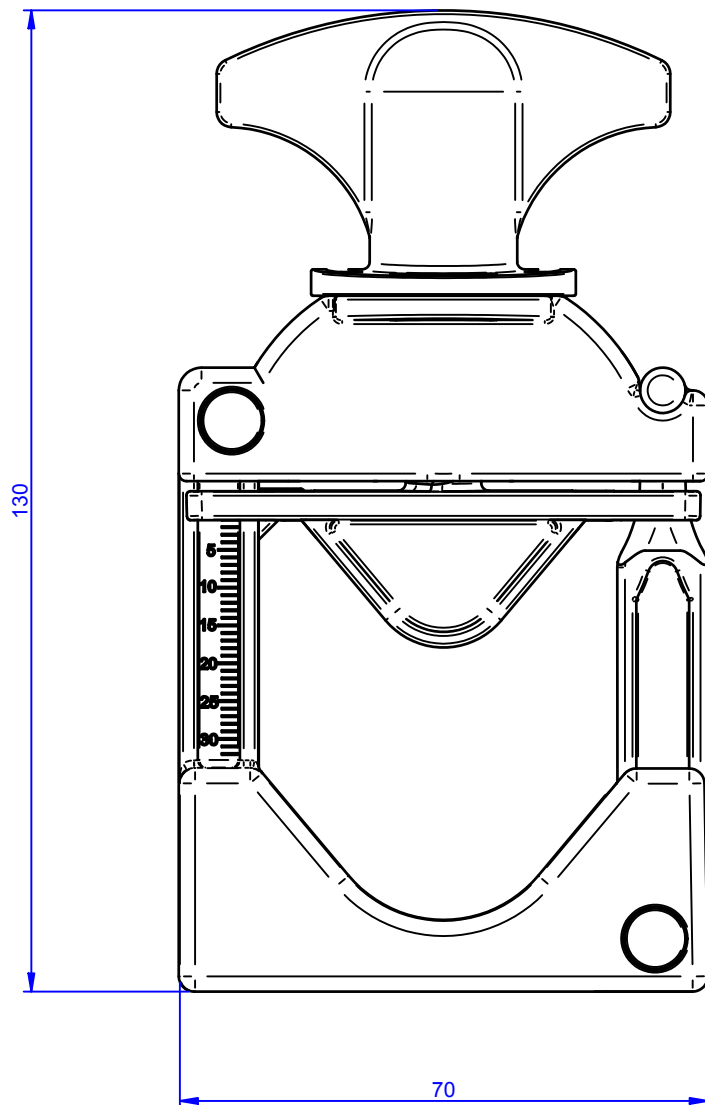
DRAWING NUMBER

BV-CD

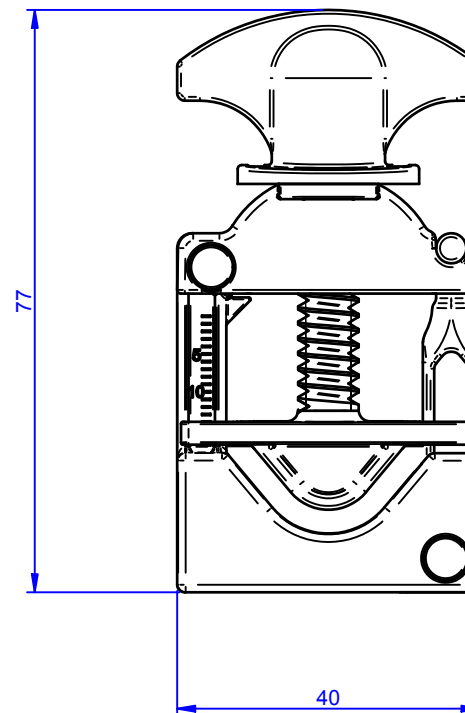
ISSUE	DESCRIPTION	DATE
A	RELEASED FOR PRODUCTION	10/05/06

PATENT PENDING No: 0605408.4

BV1000NW



BV0500NW



© COPYRIGHT

This drawing and its associated design is the property of Bio-Pure Technology Ltd & may not be copied or used for any purpose other than that for which it is supplied, without the express written authority of Bio-Pure Technology Ltd

DIMENSIONS IN MILLIMETERS

TOLERANCES UNLESS STATED
 0 DEC PLACE +/- 0.5
 1 DEC PLACE +/- 0.25
 2 DEC PLACES +/- 0.10

ANGULAR +/- 0.5 DEG

MATERIAL AND SPECIFICATION

ZYTEL 70G30
 WHITE

DRAWN BY

MJF

CHECKED BY

DM

DATE

10/05/06

APPROVED BY

RM

FINISH

CLEAN

SCALE

1:1

Bio-Pure Technology Ltd.

17 South Street, Havant, Hants PO91BU ENGLAND
 Tel. +44 (0) 2392 499000 Fax. +44 (0) 2392 499001

Email. sales@biopuretech.com
 Web. www.biopuretech.com

TITLE

BIO VALVES

PART No:

BV-CD