

1 2 3 4 5 6 7 8

DO NOT SCALE DRAWING

IF IN DOUBT - ASK

3rd ANGLE PROJECTION 

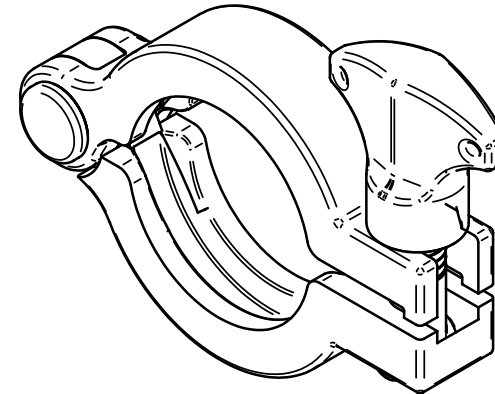
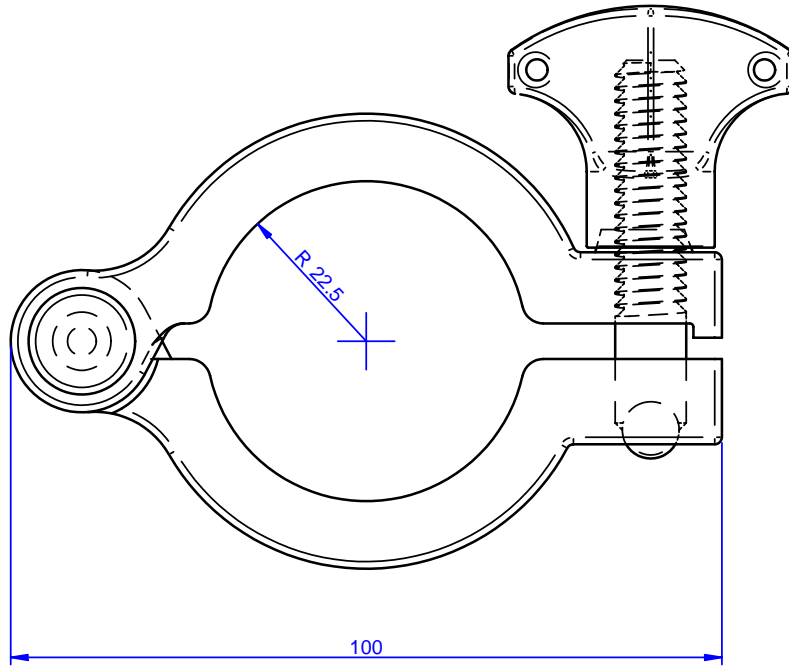
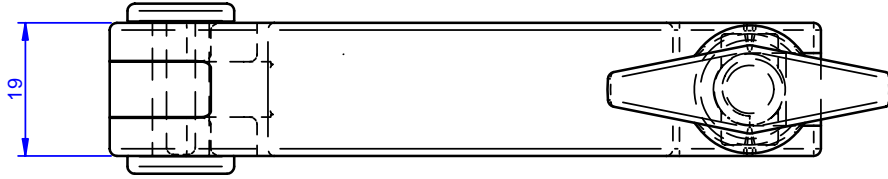
DRAWING NUMBER

NG150WH

ISSUE	DESCRIPTION	DATE
B	PATENT NO'S ADDED	09/03/05

US PATENT NUMBER US 6,708,377 B2
DATE OF PATENT MARCH 23 2004

UK PATENT NUMBER GB2361753
DATE OF PUBLICATION 07-04-2004



NOTES:

1. NO CONTAMINATION ALLOWED.
2. MAXIMUM SPLIT LINE FLASH 0.2 mm.
3. INJECTION GATE MARK TO BE TRIMMED FLUSH.

© COPYRIGHT

This drawing and its associated design is the property of Bio-Pure Technology Ltd & may not be copied or used for any purpose other than that for which it is supplied, without the express written authority of Bio-Pure Technology Ltd

DIMENSIONS IN MILLIMETERS

TOLERANCES UNLESS STATED
0 DEC PLACE +/- 0.5
1 DEC PLACE +/- 0.25
2 DEC PLACES +/- 0.10

ANGULAR +/- 0.5 DEG

MATERIAL AND SPECIFICATION

**ZYTEL 70G30
NATURAL**

DRAWN BY

MJF

CHECKED BY

PRW

DATE

04/02/05

APPROVED BY

RW

FINISH

CLEAN

SCALE

1:1

Bio-Pure Technology Ltd.

17 South Street, Havant, Hants PO91BU ENGLAND
Tel. +44 (0) 2392 499000 Fax. +44 (0) 2392 499001
Email. sales@biopuretech.com
Web. www.biopuretech.com

TITLE

BIO-CLAMP

PART No:

NG150WH