

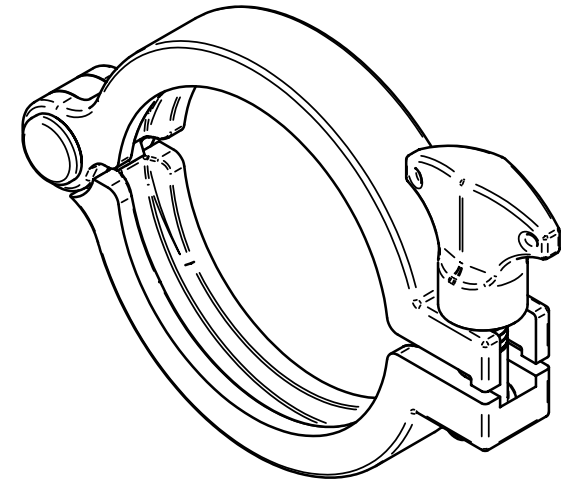
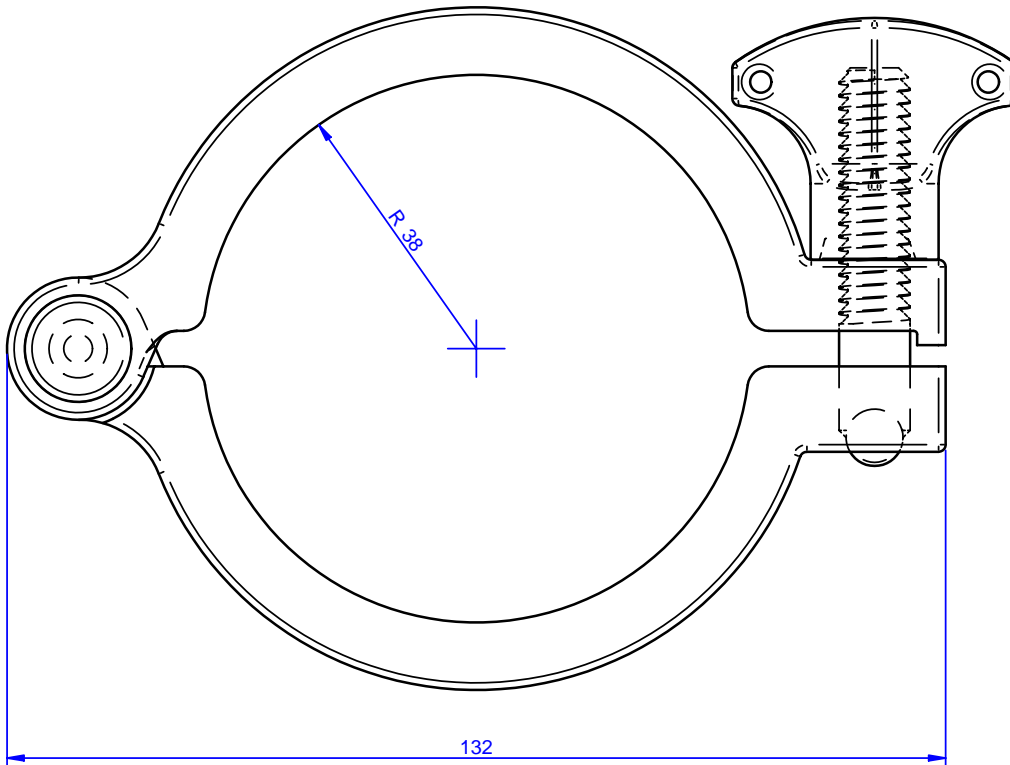
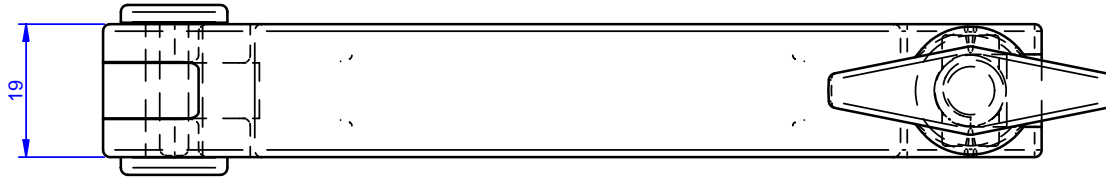
1 2 3 4 5 6 7 8

DO NOT SCALE DRAWING IF IN DOUBT - ASK 3rd ANGLE PROJECTION

| | | |
|----------------|-------------------|----------|
| DRAWING NUMBER | | |
| NG250WH | | |
| ISSUE | DESCRIPTION | DATE |
| B | PATENT NO'S ADDED | 09/03/05 |

US PATENT NUMBER US 6,708,377 B2
DATE OF PATENT MARCH 23 2004

UK PATENT NUMBER GB2361753
DATE OF PUBLICATION 07-04-2004



- NOTES:
1. NO CONTAMINATION ALLOWED.
 2. MAXIMUM SPLIT LINE FLASH 0.2 mm.
 3. INJECTION GATE MARK TO BE TRIMMED FLUSH.

| | | | | | | | |
|---|--|--|--------------------------|-------------------------------|-----------------------|--|----------------------------------|
| © COPYRIGHT This drawing and its associated design is the property of Bio-Pure Technology Ltd & may not be copied or used for any purpose other than that for which it is supplied, without the express written authority of Bio-Pure Technology Ltd | DIMENSIONS IN MILLIMETERS TOLERANCES UNLESS STATED 0 DEC PLACE +/- 0.5 1 DEC PLACE +/- 0.25 2 DEC PLACES +/- 0.10 ANGULAR +/- 0.5 DEG | MATERIAL AND SPECIFICATION ZYTEL 70G30 NATURAL | DRAWN BY | DATE | FINISH | Bio-Pure Technology Ltd. 17 South Street, Havant, Hants PO91BU ENGLAND Tel. +44 (0) 2392 499000 Fax. +44 (0) 2392 499001 Email. sales@biopuretech.com Web. www.biopuretech.com | TITLE |
| | | | MJF CHECKED BY PRW | 04/02/05 APPROVED BY RW | CLEAN SCALE 1:1 | | BIO-CLAMP PART No: NG250WH |