

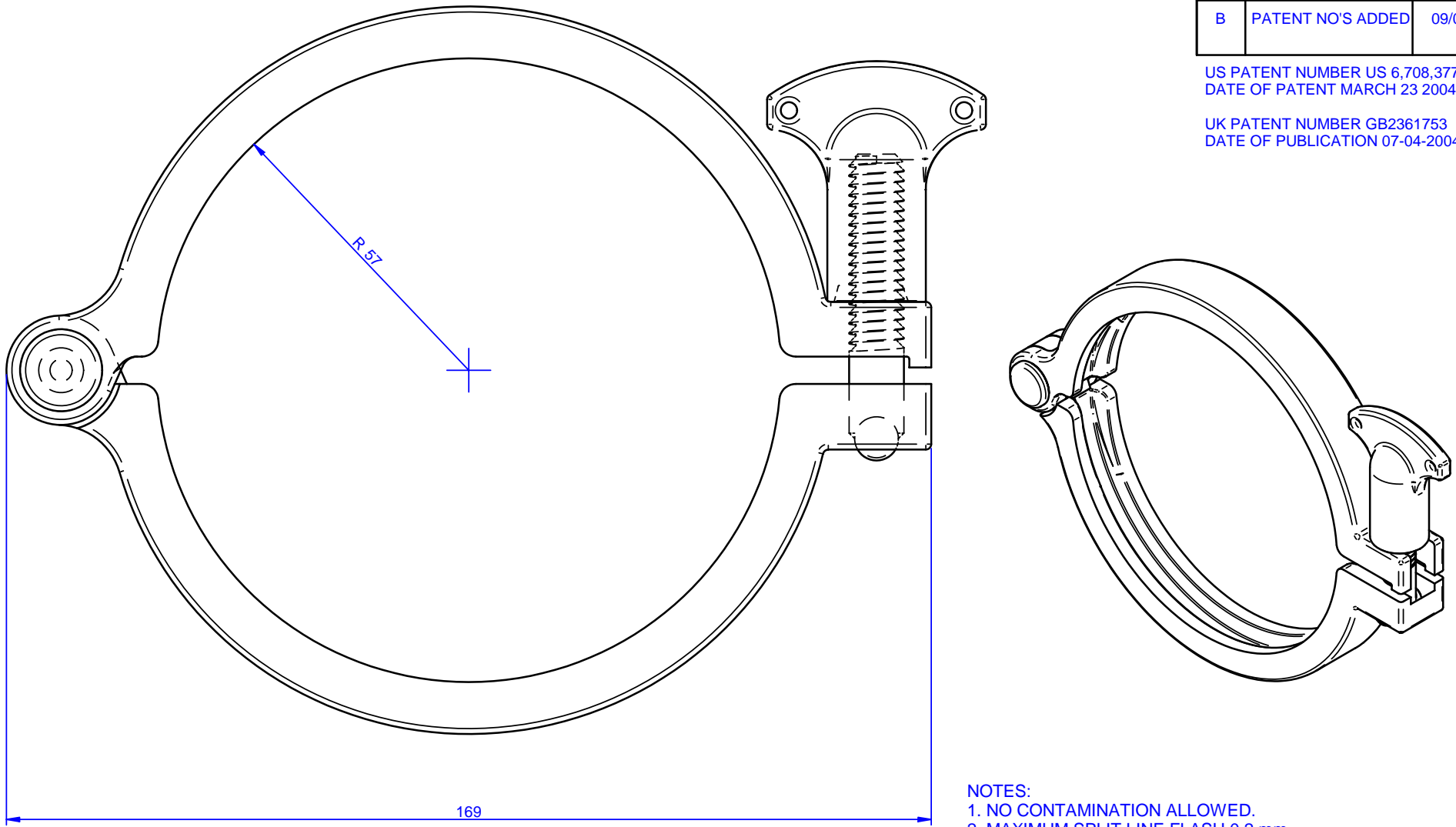
1 2 3 4 5 6 7 8

DO NOT SCALE DRAWING IF IN DOUBT - ASK 3rd ANGLE PROJECTION

DRAWING NUMBER		
NG400WH		
ISSUE	DESCRIPTION	DATE
B	PATENT NO'S ADDED	09/03/05

US PATENT NUMBER US 6,708,377 B2  
DATE OF PATENT MARCH 23 2004

UK PATENT NUMBER GB2361753  
DATE OF PUBLICATION 07-04-2004



- NOTES:  
 1. NO CONTAMINATION ALLOWED.  
 2. MAXIMUM SPLIT LINE FLASH 0.2 mm.  
 3. INJECTION GATE MARK TO BE TRIMMED FLUSH.

© COPYRIGHT This drawing and its associated design is the property of Bio-Pure Technology Ltd & may not be copied or used for any purpose other than that for which it is supplied, without the express written authority of Bio-Pure Technology Ltd	DIMENSIONS IN MILLIMETERS TOLERANCES UNLESS STATED 0 DEC PLACE +/- 0.5 1 DEC PLACE +/- 0.25 2 DEC PLACES +/- 0.10 ANGULAR +/- 0.5 DEG	MATERIAL AND SPECIFICATION ZYTEL 70G30 NATURAL	DRAWN BY	DATE	FINISH	Bio-Pure Technology Ltd. 17 South Street, Havant, Hants PO91BU ENGLAND Tel. +44 (0) 2392 499000 Fax. +44 (0) 2392 499001 Email. sales@biopuretech.com Web. www.biopuretech.com	TITLE
			MJF 04/02/05 CLEAN	PRW RW SCALE 1:2	BIO-CLAMP		
							PART No:
							NG400WH