

Valves

BioConnex offers a variety of non-metallic valves with standard sanitary flange ports.

Custom ports are available to suit your applications. Valves are constructed of polypropylene and, for added durability, PVDF. The design can be modified to any style of connection you specify.



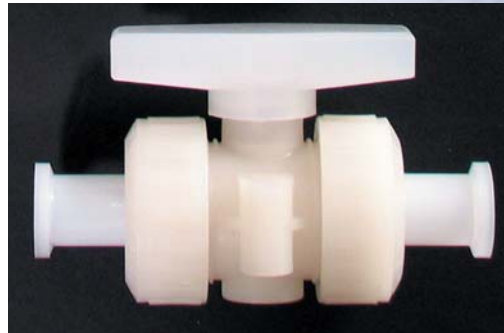
Angle & Globe Valves

These valves have a .25" port with a standard Mini Sanitary flange; other ports can be specified.

Standard Construction:

Body: Polypropylene or PVDF

Seal: solid Teflon O-Ring



Manual Ball Valve

Standard manual 2-way configuration, also available in 3-way and 4-way configurations.

Sizes: .5", .75", 1", 1.5", and 2"

Standard Construction:

Polypropylene or PVDF



Manual Zero Dead Leg (ZDL)

Sizes: .75", 1", 1.5", 2"

Standard Construction:

Body: Polypropylene or PVDF

Diaphragm: Solid EPDM or Teflon-coated EPDM



Manual Diaphragm

Sizes: 3mm, 6mm, 10mm, 12mm, .75", 1", 1.5", 2"

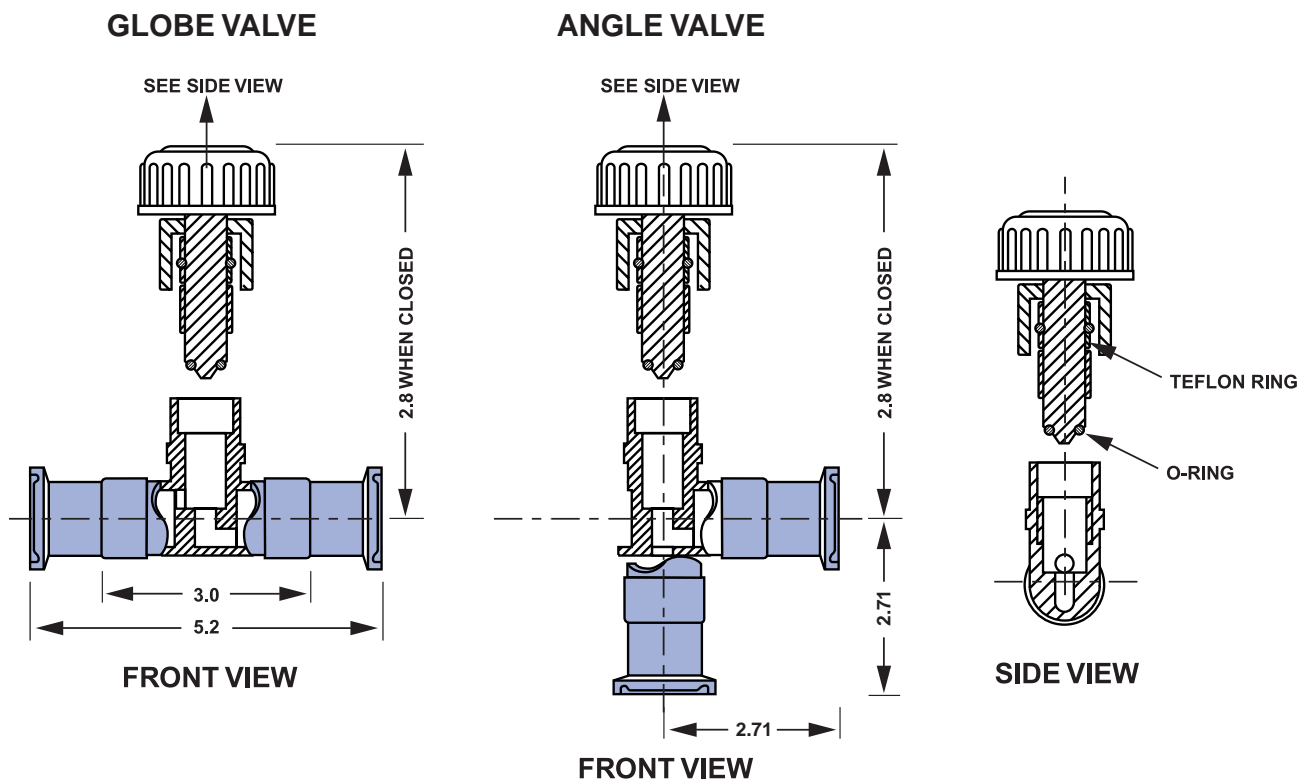
Standard Construction:

Body: Polypropylene or PVDF

Diaphragm: Solid EPDM or Teflon-coated EPDM

Angle & Globe Valve

Dimensional and Physical Properties



Size	Part Number	Tube ID	Orifice ID	Max Working Pres. (psi) @ 70° F
3mm	(PP, PVDF) 003 (AV, GV)	.118"	.250"	150
6mm	(PP, PVDF) 006 (AV, GV)	.236"	.250"	150
10mm	(PP, PVDF) 010 (AV, GV)	.394"	.250"	150
12mm	(PP, PVDF) 012 (AV, GV)	.472"	.250"	150
MINI	(PP, PVDF) 075 (AV, GV)	.564	.250	150

Resin Data	Tensile Strength	Flexural Modulus	Hardness	Heat Deflection	Water Absorption	Maximum Recommended Working Temperature F°
Polypropylene used in Angle and Globe	3900 psi (2 in/min) ASTM D 638	160000 psi ASTM D 790	80, R-scale, Rockwell D-785	87.8° F @ 66 psi ASTM D 648	.01 % (24 hour duration)	180° F
PVDF used in the Angle and Globe	5000 - 7000 psi ASTM D 638	240000-335000 psi ASTM D 790	76 - 80 Shore D ASTM D 2240	257 - 284° F @ 66 psi ASTM D 648	.01 - .03 % (24 hour duration)	240° F

Physical properties provided as general guidelines only. It is the end-users responsibility to ensure that the above mentioned products are compatible with the intended application and that the products are in compliance with all applicable regulatory requirements for use. User assumes all risk of usage.

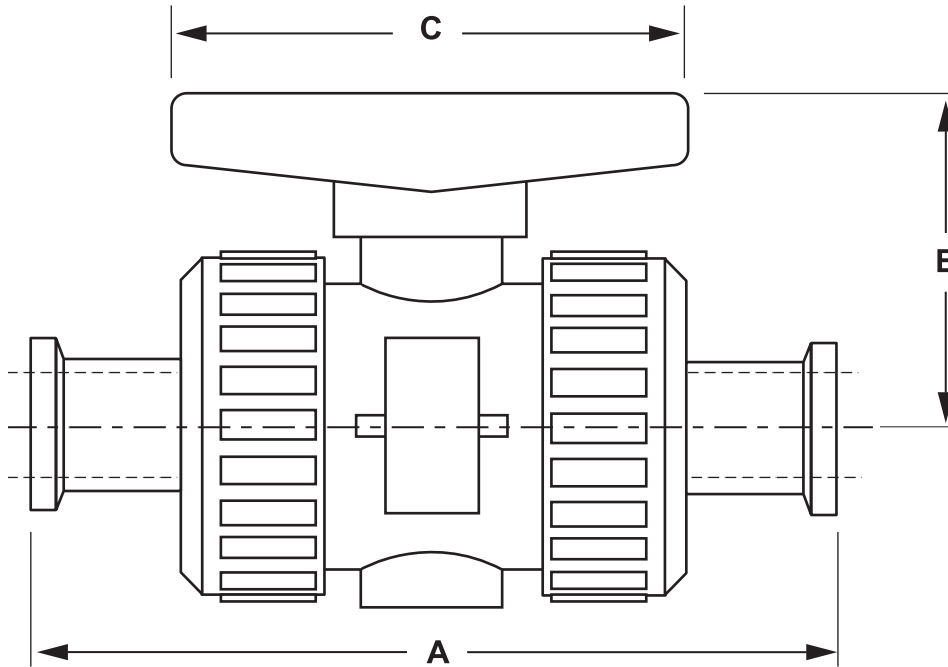
For additional information please contact:



P.O. Box 126, Readington, New Jersey, USA
 Phone: +01-908-722-6948 Fax: +01-908-526-3256
www.bioconnex.com

Manual Ball Valve

Dimensional and Physical Properties



Replacement Polypropylene Autoclaveable Handles Available.

Size	Part Number	Dim "A" (In)	Dim "B" (in)	Dim "C" (in)	Max Working Pres. (psi) @ 70° F
MINI	(PP, PVDF) MBV075	4.85"	1.85"	3.15"	150
1"	(PP, PVDF) MBV100	5.80"	2.50"	3.75"	150
1-1/2"	(PP, PVDF) MBV150	7.25"	2.50"	4.50"	150
2"	(PP, PVDF) MBV200	7.25"	3.50"	4.50"	150

Seat Seal and Shaft Seal are Teflon®. Standard O-Ring is EPDM or Viton®.

Resin Data	Tensile Strength	Flexural Modulus	Hardness	Heat Deflection	Water Absorption	Maximum Recommended Working Temperature F°
Polypropylene used in Ball Valve	3900 psi (2 in/min) ASTM D 638	160000 psi ASTM D 790	80, R-scale, Rockwell D-785	87.8° F @ 66 psi ASTM D 648	.01 % (24 hour duration)	180° F
PVDF used in the Ball Valve	5000 – 7000 psi ASTM D 638	240000–335000 psi ASTM D 790	76 – 80 Shore D ASTM D 2240	257 – 284° F @ 66 psi ASTM D 648	.01 – .03 % (24 hour duration)	240° F

Physical properties provided as general guidelines only. It is the end-users responsibility to ensure that the above mentioned products are compatible with the intended application and that the products are in compliance with all applicable regulatory requirements for use. User assumes all risk of usage.

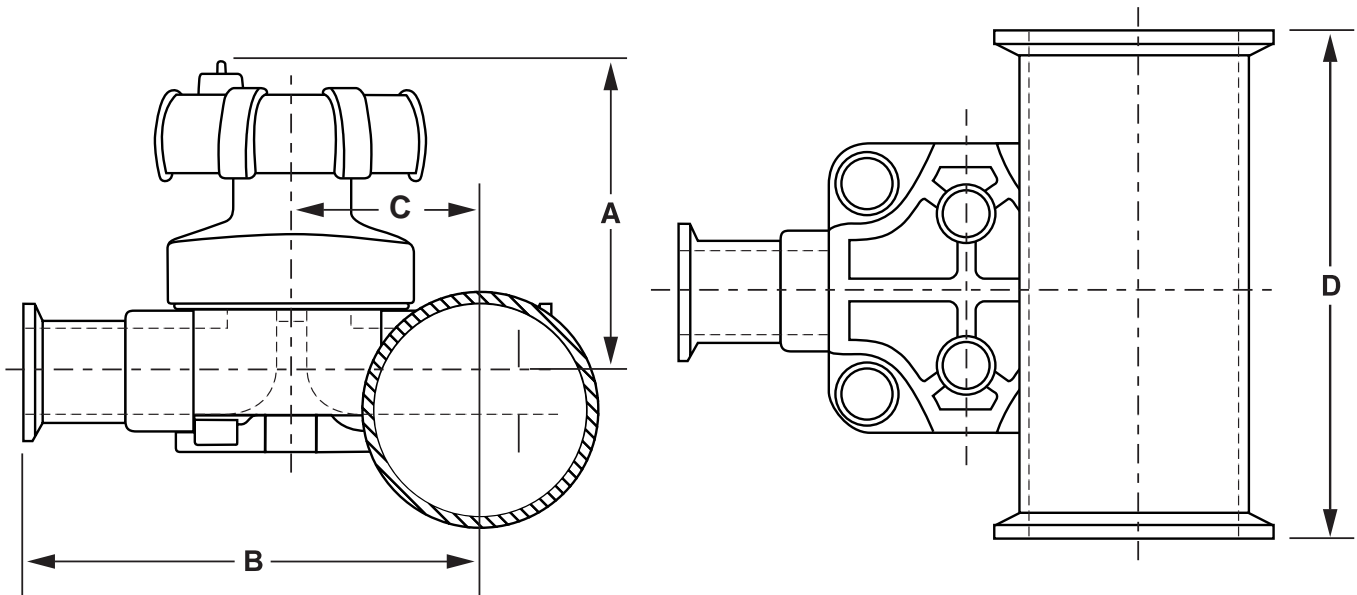
For additional information please contact:



P.O. Box 126, Readington, New Jersey, USA
 Phone: +01-908-722-6948 Fax: +01-908-526-3256
www.bioconnex.com

Manual Zero Dead Leg (ZDL)

Dimensional and Physical Properties



Size	Part Number	Dim "A" (in)	Dim "B" (in)	Dim "C" (in)	Dim "D" (in)	Max Working Pres. (psi) @ 70° F
MINI x MINI	(PP, PVDF) MZDL075-075	3.81"	2.70"	0.45"	6.13"	150
MINI x 1"	(PP, PVDF) MZDL075-100	3.94"	3.30"	0.75"	7.00"	150
MINI x 1-1/2"	(PP, PVDF) MZDL075-150	3.94"	4.10"	1.40"	5.50"	150
MINI x 2"	(PP, PVDF) MZDL075-200	3.94"	4.60"	1.80"	7.00"	150
1" x 1"	(PP, PVDF) MZDL100-100	3.94"	3.50"	0.75"	7.00"	150
1" x 1-1/2"	(PP, PVDF) MZDL100-150	3.94"	4.80"	1.30"	5.50"	150
1" x 2"	(PP, PVDF) MZDL100-200	3.94"	4.80"	1.80"	7.00"	150

EPDM Diaphragm is standard. Teflon® faced EPDM is optional.

Resin Data	Tensile Strength	Flexural Modulus	Hardness	Heat Deflection	Water Absorption	Maximum Recommended Working Temperature F°
Polypropylene used in ZDL Valve	3900 psi (2 in/min) ASTM D 638	160000 psi ASTM D 790	80, R-scale, Rockwell D-785	87.8° F @ 66 psi ASTM D 648	.01 % (24 hour duration)	180° F
PVDF used in the ZDL Valve	5000 – 7000 psi ASTM D 638	240000–335000 psi ASTM D 790	76 – 80 Shore D ASTM D 2240	257 – 284° F @ 66 psi ASTM D 648	.01 – .03 % (24 hour duration)	240° F

Physical properties provided as general guidelines only. It is the end-users responsibility to ensure that the above mentioned products are compatible with the intended application and that the products are in compliance with all applicable regulatory requirements for use. User assumes all risk of usage.

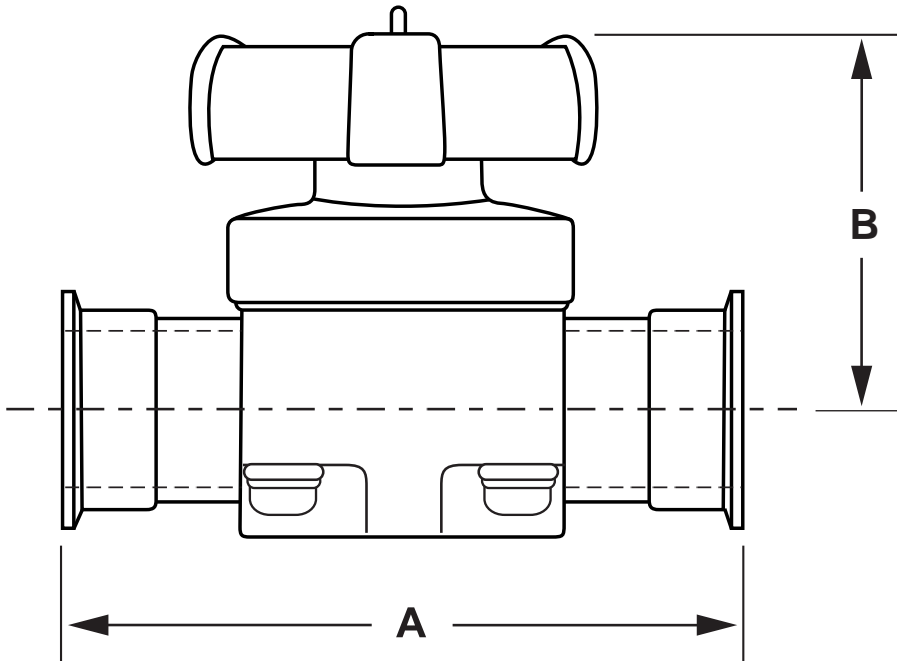
For additional information please contact:



P.O. Box 126, Readington, New Jersey, USA
 Phone: +01-908-722-6948 Fax: +01-908-526-3256
www.bioconnex.com

Manual Diaphragm Valves

Dimensional and Physical Properties



Size	Part Number	Dim "A" (In)	Dim "B" (in)	Max Working Pres. (psi) @ 70° F
MINI	(PP, PVDF) MDV075	4.65"	3.45"	150
1"	(PP, PVDF) MVD100	5.65"	3.50"	150
1-1/2"	(PP, PVDF) MVD150	6.90"	4.50"	150
2"	(PP, PVDF) MVD200	7.72"	4.50"	150

EPDM Diaphragm is standard. Teflon® faced EPDM is optional.

Resin Data	Tensile Strength	Flexural Modulus	Hardness	Heat Deflection	Water Absorption	Maximum Recommended Working Temperature F°
Polypropylene used in Manual Diaphragm Valve	3900 psi (2 in/min) ASTM D 638	160000 psi ASTM D 790	80, R-scale, Rockwell D-785	87.8° F @ 66 psi ASTM D 648	.01 % (24 hour duration)	180° F
PVDF used in the Manual Diaphragm Valve	5000 – 7000 psi ASTM D 638	240000–335000 psi ASTM D 790	76 – 80 Shore D ASTM D 2240	257 – 284° F @ 66 psi ASTM D 648	.01 – .03 % (24 hour duration)	240° F

Physical properties provided as general guidelines only. It is the end-users responsibility to ensure that the above mentioned products are compatible with the intended application and that the products are in compliance with all applicable regulatory requirements for use. User assumes all risk of usage.

For additional information please contact:



P.O. Box 126, Readington, New Jersey, USA
 Phone: +01-908-722-6948 Fax: +01-908-526-3256
www.bioconnex.com